

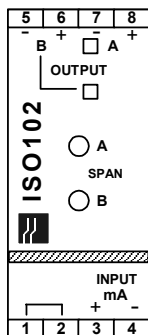
FEATURES

- ❑ Single or Dual output
- ❑ Current loop isolator
- ❑ Passive – Loop powered I/O
- ❑ Optical galvanic isolation
- ❑ Narrow Profile – greater packing density
- ❑ Front panel adjustment
- ❑ 35 mm DIN rail mounting



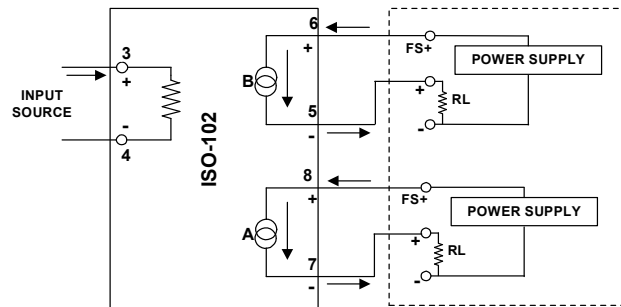
Signal Isolator ISO102 series (single output or dual output) provides total signal isolation between a non-isolated transmitter and a receiving device. This eliminates faulty readings in process measurement and control equipment caused by ground loops, motor noise, and other unpredictable electrical interference. When the output from one transmitter needs to be isolated and sent to two different locations, ISO102 with dual output provides ideal solution and acts as a splitter. These isolators operate on the principle of optical isolation and provide high isolation between the input circuit and the output. External power supply is not required by these isolators, the input circuit is powered from the input 4 to 20mA signal and the outputs are powered by the output loop power provided by the receiving instrument. The isolators have individual output adjustment potentiometers accessible from the front panel.

MODULE PIN CONFIGURATION AND WIRING:

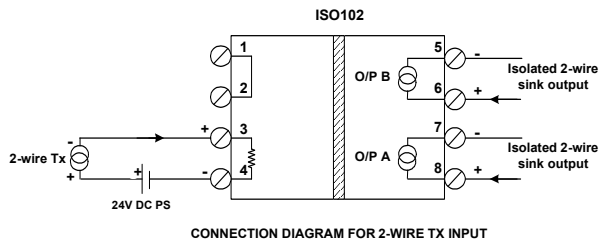


- 1 – NOT USED
 - 2 – NOT USED
 - 3 – mA INPUT (+ve)
 - 4 – mA INPUT (-ve)
 - 5 – OUTPUT 2 (-ve)
 - 6 – OUTPUT 2 (+ve)
 - 7 – OUTPUT 1 (-ve)
 - 8 – OUTPUT 1 (+ve)
- For Dual Output Only

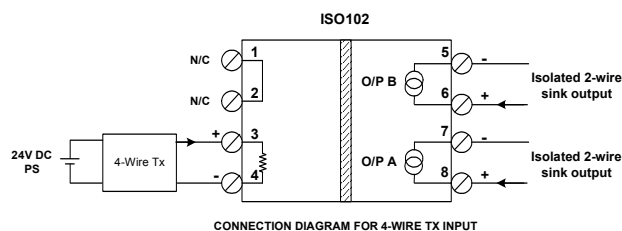
RECEIVER WITH INTERNAL POWER SUPPLY



INPUT TO INDICATOR / PLC

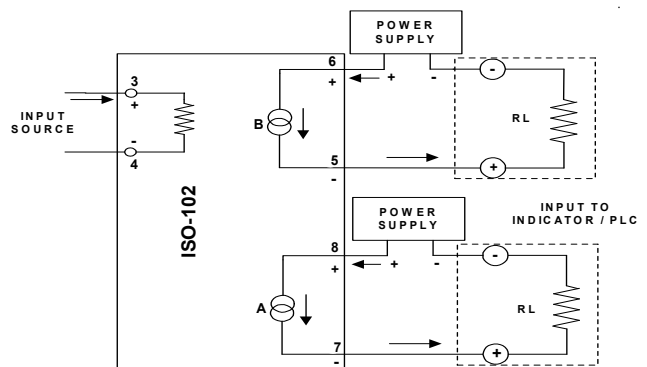


CONNECTION DIAGRAM FOR 2-WIRE TX INPUT



CONNECTION DIAGRAM FOR 4-WIRE TX INPUT

RECEIVER WITH EXTERNAL POWER SUPPLY



INPUT TO INDICATOR / PLC

Note: Terminal 1 and 2 are internally shorted, provided for external use.

SPECIFICATIONS:**Isolation**

Type	Optical Galvanic Isolation
Isolation Voltage	> 500 Volts

Input

Range	4 to 20 mA
Maximum input current	30 mA
Minimum voltage drop	10 V
Maximum voltage	36 Volts

Output

Range	4 to 20 mA
Maximum Loop voltage	36 V DC
No of Outputs	Single Output or Dual output
Load resistance	600 Ohms max with 24 V DC loop supply

Accuracy +/- 0.1 % of span

Power supply Passive, Loop powered input and output

Protection

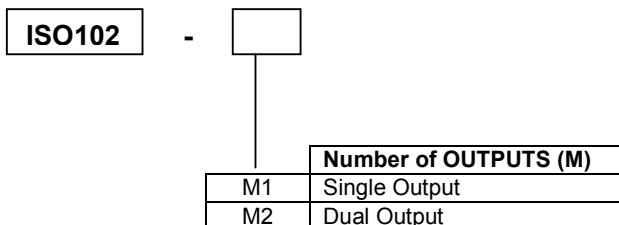
Reverse polarity Provided

Environment

Operating Temperature	-10 to +55 Deg C
Storage Temperature	-20 to +70 Deg C
Operating Humidity	Up to 95 % RH max

Enclosure

Mounting Type	35 mm DIN rail type
IP Rating	IP20 terminal block, IP40 housing
Housing	Flame Retardant ABS
Dimension	22.5 (W) X 105 (D) X 75 (H) mm
Gross Weight	130 gms

ORDERING CODE:

SAMPLE ORDER CODE
ISO102 - M2
DUAL OUTPUT SIGNAL ISOLATOR

DIMENSIONS IN mm: