

FEATURES

- ❑ Large 0.8" display
- ❑ Universal input
- ❑ Smart teach option
- ❑ Two alarm outputs
- ❑ Isolated retransmission output
- ❑ Keyboard calibration
- ❑ Rugged industrial design

The MPI-501UL is an advanced Microcontroller based single channel Process Indicator used for monitoring analog and digital signals in the majority of industrial processes. The process indicator can accept analog inputs (from RTDs, Thermocouples, current and voltage inputs) or digital pulses. Optional single or dual alarm output is provided wherein the alarm type and value is programmable from the front keyboard. The indicator is calibrated for all the basic inputs and the calibration is not required to be changed if the input type is changed. However if recalibration is required due to any error then calibration can be done through keyboard.

SPECIFICATIONS:

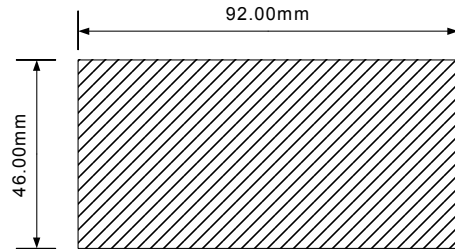
No. of channels	1
Inputs	Universal input (Refer Input Table) or Linear input (voltage/current)
Input Connection	Rugged Screw type terminal, suitable for wire size ranging from 0.2-2.5sq.mm
Input Impedance	For Thermocouples & mV inputs: >1 M Ω DC Volts: >100 K Ω
Display	- 4 digit 0.8 " 7seg. Red LED -Range -1999 to 9999
Square root extraction	Provided built-in for linear inputs
Automatic Compensations	-Cold junction compensation for thermocouples -Wire resistance compensation for three wire RTDs.
Accuracy	+/- 0.1% of FS, +/- 1 digit for Linear inputs +/- 0.2% of FS, +/- 1 digit for others
Decimal Point	Programmable as 8888, 888.8, 88.88, 8.888 for Linear Inputs
Noise Rejection	-Common Mode 120dB or better -Series Mode 60dB or better
OUTPUT OPTIONS	1) Upto two 1 CO, 5A / 230 V AC resistive max. Relay 2) Retransmission Output: Isolated 4 – 20mA Programmable 3) Transmitter Excitation Voltage : 24V DC/30mA max.
Battery Backup	EEPROM Nonvolatile Memory (Battery not required)
Power Supply	Universal 95 – 265V AC, 50Hz or 110 – 300 V DC
Open Sensor Indication	'OPEN' or 'OR' where applicable.
PROTECTION Sensor Burn out Protection Set Point & Configuration Protection System Protection	Programmable alarm ON or OFF Password Protected – User & configuration menu Through hardware and software watch dog

contd. specifications:

ENVIRONMENT Operating Temperature Operating Humidity Storage Temperature	0 to +55 Deg. C Up to 95% non condensing -10 to +70 Deg. C
ENCLOSURE Enclosure IP Rating Mounting Type: Accessories: External Dimension: Panel Cutout: Gross Weight:	Flame Retardant ABS IP54 (Front panel) Flush on panel Screw type mounting clamp 48(H) x96 (W) x134 (D) mm 46(H) x92 (W) mm, Depth behind panel: 124mm 380 gms approx.

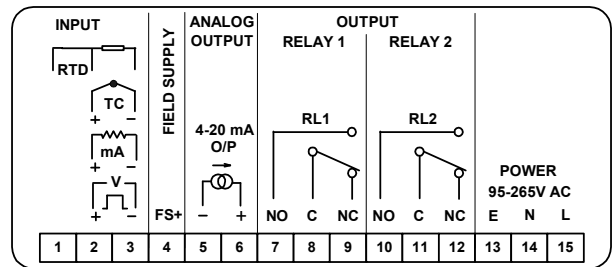
INPUT TABLE:

UNIVERSAL	Linear	mA DC (Use 250Ω)	4 – 20 mA / 0– 20 mA
		V DC	1 – 5 V / 0 – 5 V / 0 – 10V
			0– 75 mV
	RTD PT100	PT100 1 Deg.C resolution	
		PT100 0.1 Deg.C resolution	
	TC	J	
		K	
		T	
		E	
		B	
R			
S			
RESISTANCE		0 to 6KΩ	



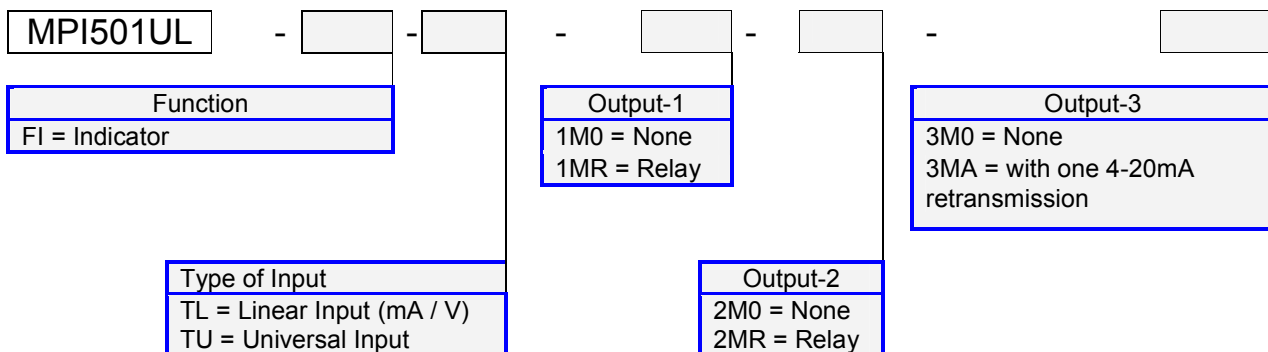
PANEL CUTOUT

BACK TERMINAL CONNECTION:



2 WIRE TRANSMITTER CONNECTION

ORDERING CODE:



SAMPLE CODE ORDER:
MPI501UL – FI – TU – 1MR – 2MR – 3MA
 Universal Input, with 2 Relays, with one 4-20mA retransmission