

FEATURES

- ❑ Wall mounted IP65 Protected
- ❑ Universal input
- ❑ Smart teach option
- ❑ Two alarm outputs
- ❑ Isolated retransmission output
- ❑ Keyboard calibration
- ❑ Engineering unit labels insertion



WPI-705 is an advanced Microcontroller based single channel Wall mounted IP65 Protected Universal Process Indicator used for monitoring analog signals in the majority of industrial processes. The process indicator can accept analog inputs from RTDs, Thermocouples, current and voltage inputs. Optional single or dual alarm output is provided wherein the alarm type and value is programmable from the front keyboard. The unit is calibrated for all the basic inputs and the calibration is not required to be changed if the input type is changed. Recalibration if required could be done through keyboard.

SPECIFICATIONS:

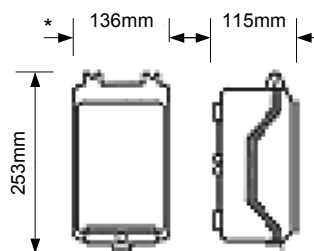
No. of channels	1
Inputs	Universal input (Refer Table)
Input Connection	Rugged Screw type terminal, suitable for wire size ranging from 0.2-2.5sq.mm
Input Impedance	For Thermocouples & mV inputs: >1 MΩ DC Volts: >100 KΩ
Display	<ul style="list-style-type: none"> • 4 digit 7seg. Red LED • Size: 0.5" OR 1.0" display OR 1.5" display • Range –1999 to 9999
Square root extraction	Provided built-in for linear inputs
Automatic Compensations	-Cold junction compensation for thermocouples -Wire resistance compensation for three wire RTDs.
Accuracy	+/- 0.1% of FS, +/- 1 digit for Linear inputs +/- 0.2% of FS, +/- 1 digit for others
Decimal Point	Programmable as 8888, 888.8, 88.88, 8.888 for Linear Inputs
Noise Rejection	-Common Mode 120dB or better -Series Mode 60dB or better
OUTPUT OPTIONS	1) Upto two 1 CO, 5A / 230 V AC resistive max. Relay 2) Retransmission Output: Isolated 4 – 20mA Programmable 3) Transmitter Excitation Voltage : 24V DC/30mA max.
Battery Backup	EEPROM Nonvolatile Memory (Battery not required)
Power Supply	Universal 95 – 265V AC, 50Hz or 110 – 300 V DC OR 24V DC
Open Sensor Indication	'OPEN' or 'OR' where applicable.
PROTECTION Sensor Burn out Protection Set Point & Configuration Protection System Protection	Programmable alarm ON or OFF Password Protected – User & configuration menu Through hardware and software watch dog

contd. specifications:

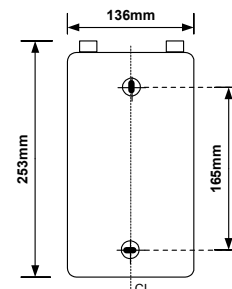
ENVIRONMENT Operating Temperature Operating Humidity Storage Temperature	0 to +55 Deg. C Up to 95% non condensing -10 to +70 Deg. C
ENCLOSURE Enclosure IP Rating Mounting Type External Dimension Weight	Fire resistant self extinguishing IP65 Wall mounting 253(H) x136 (W) x115 (D) mm for 0.5" display 253(H) x168 (W) x115 (D) mm for 1.0" and 1.5" display 900 gm approx

INPUT TABLE:				
UNIVERSAL	Linear	mA DC (Use 250Ω)	4 – 20 mA / 0– 20 mA Others	
		V DC	1 – 5 V / 0 – 5 V / 0 – 10V Others	
		mV DC	0– 75 mV Others	
		RTD PT100	PT100 1 Deg.C resolution	
			PT100 0.1 Deg.C resolution	
			J	
	TC	K		
		T		
		E		
		B		
S				

EXTERNAL DIMENSIONS:

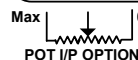
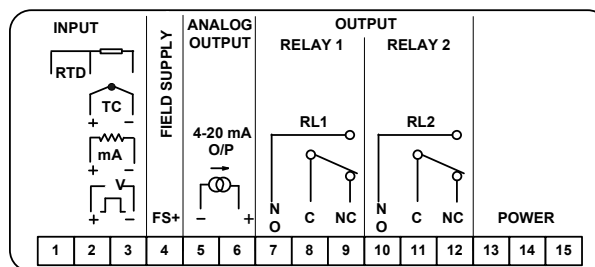


MOUNTING DETAILS:

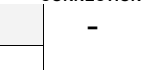


* NOTE: Width = 168mm for 1 / 1.5 inch Display Indicator

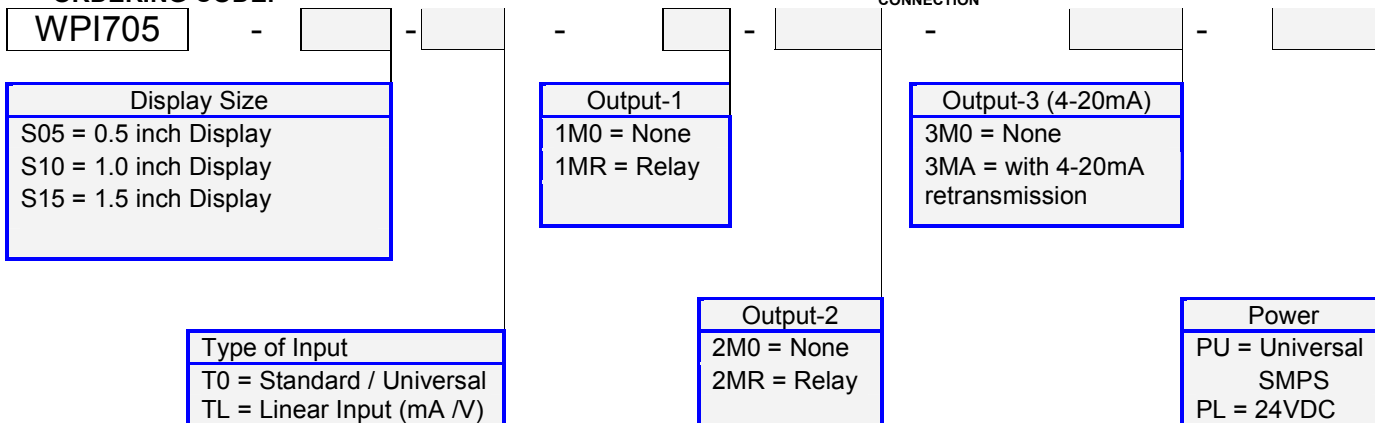
TERMINAL CONNECTION:



2 WIRE TRANSMITTER CONNECTION



ORDERING CODE:



Sample Order Code:

WPI705 – S05 – T0 – 1MR – 2M0 – 3M0 – PU

0.5" display, Universal Input, 1 Relay Output, Universal SMPS Power